



[I-21/189/2024-W&M Section]
GOVERNMENT OF INDIA/भारत सरकार
MINISTRY OF CONSUMER AFFAIRS, FOOD AND PUBLIC DISTRIBUTION
उपभोक्ता मामले, खाद्य एवं सार्वजनिक वितरण मंत्रालय
DEPARTMENT OF CONSUMER AFFAIRS/ उपभोक्ता मामले विभाग
LEGAL METROLOGY DIVISION/ विधिक मापविज्ञान प्रभाग

Krishi Bhawan/कृषि भवन, नई दिल्ली
Dated/दिनांक:- 10.07.2024

Certificate of Approval of Model/ मॉडल का अनुमोदन प्रमाणपत्र

Whereas the Central Government, after considering the report submitted to it by prescribed authority, is satisfied that the model described in the said report (see the figure given below) is in conformity with the provisions of the Legal Metrology Act, 2009 (1 of 2010) and the Legal Metrology (Approval of Models) Rules, 2011 and the said model is likely to maintain its accuracy over periods of sustained use and to render accurate service under varied conditions;

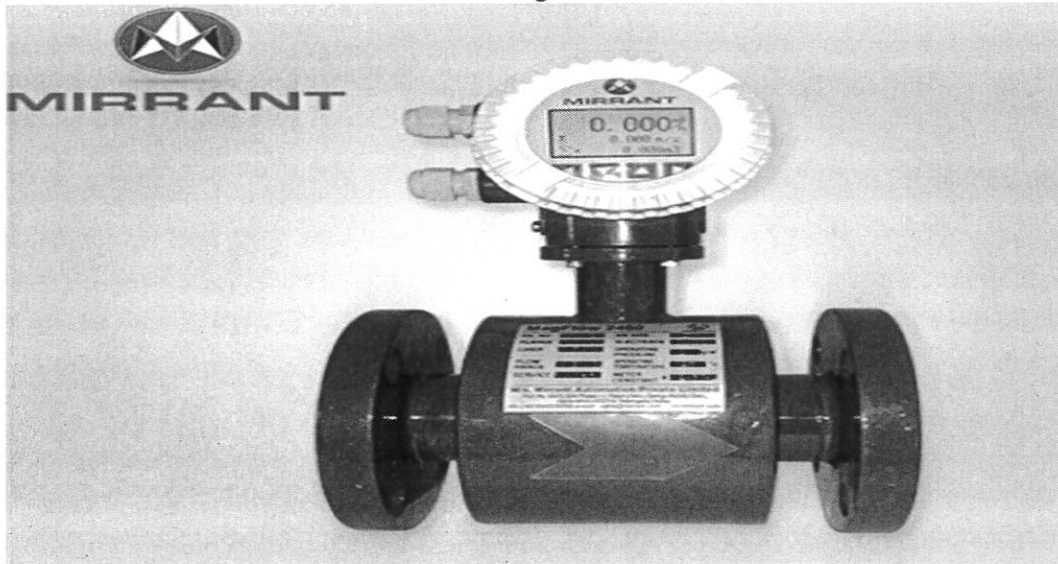
Now, therefore, in exercise of the powers conferred by section 22 of the Legal Metrology Act, 2009 (1 of 2010) read with sub-rule (6) of rule 8 and sub-rule (4) of rule 11 of the Legal Metrology (Approval of Models) Rules, 2011, the Central Government hereby issues the certificate of approval of Dual Arm Batch Controller of accuracy class 0.5 of series "MAGFLOW-2400" and with the brand name "MIRRANT" (hereafter in this notification referred to as the said model) manufactured by M/s Mirrant Automation Private Limited, Plot No. 6A/5, IDA Phase-I, Patancheru, Sangareddy district, Hyderabad-502319, Telangana which is assigned the approval mark IND/09/24/329 (the picture of the model is given below as Figure 1);

The said model is an Electromagnetic Flow meter unit. Its nominal diameter is 50mm. The probable uses of the instrument are measuring the volume of water and other conductive liquid, pulp, slurry etc.

Technical Data:

Working Principle	Electromagnetic Induction
Procedure adopted for testing & conformity	OIML R 117
Accuracy class	0.5
Maximum Flow Rate	30 m ³ /h
Minimum Flow Rate	2.12 m ³ /h
Minimum Measured Quantity (MMQ)	100 Liter
Type of Display	LCD
No. of Digits for volume	5 digits
No. of Digits for totalizer	5 digits
Smallest Division	1 Liter
Power Supply	230 V AC/ 24 V DC

Figure 1



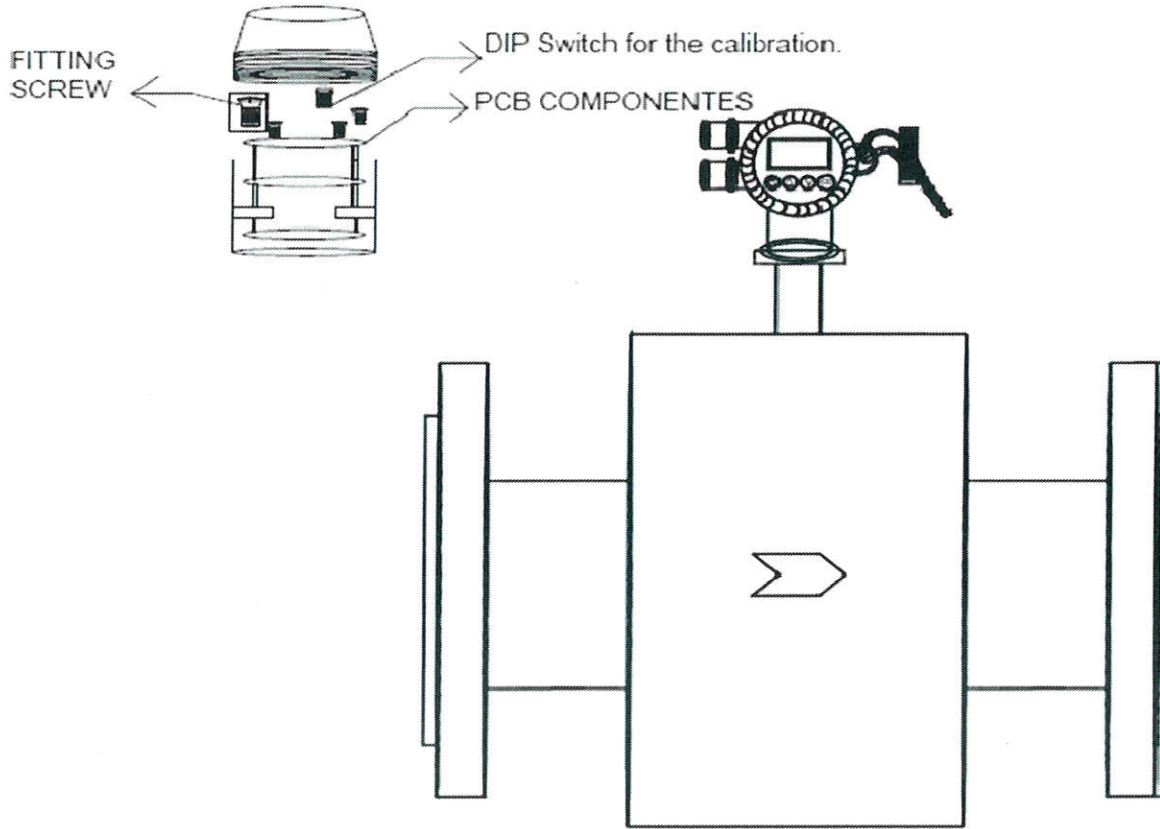


Figure 2

A typical schematic diagram of sealing provision to prevent the fraudulent practices of the model is given above as Figure 2. A dip switch is provided inside the electronic part to lock the calibration or changing of the k-factor.

[F.No. I-21/189/2024-W&M Section]

Ashutosh Agarwal

(Ashutosh Agarwal/आशुतोष अग्रवाल)
Director (Legal Metrology) to Govt. of India/ निदेशक (विधिक माप विज्ञान) भारत सरकार

Phone/दूरभाष 01123389489

Email/ई-मेल: dirwm-ca@nic.in

Online application no. 16971